

Swivel Mount for Curved TVs

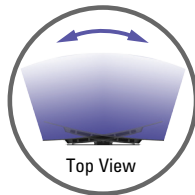
INCREASE THE VIEWING RANGE IN YOUR ROOM

The SANUS model VLC1 Swivel Mount was designed specifically for use with curved TVs. Engineered with 10° of swivel left and right, the ideal viewing range is increased by 20° making your seat in the room, the best seat. Fits curved TVs 40" – 88" and up to 150 lbs.

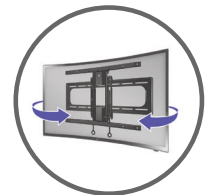
*When compared to an unmounted curved TV.



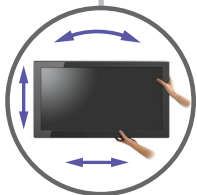
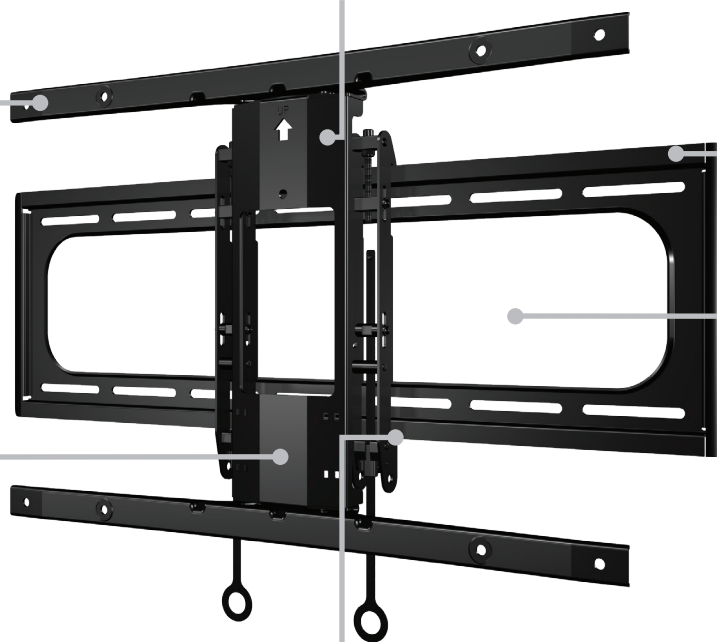
Perfect for use with curved TVs



Swivel your TV up to 20° for perfect viewing anywhere in the room



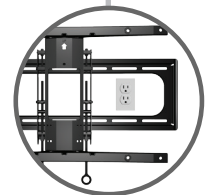
Smooth motion for easy adjustment of TV position



Allows height, level and side-to-side adjustments after installation



Audible click ensures a secure attachment you can hear



Open design allows mounting over wall boxes and electrical outlets

TV SIZE RANGE

40"–88" / 101.6 – 223.5 cm

WEIGHT CAPACITY

150 lbs / 68 kg*
*Steel stud applications: 130 lbs / 58.9 kg

DIMENSIONS (W X D X H)

30" x 2.68" x 16.97" / 76.2 x 6.8 x 43.1 cm

MOUNTING PATTERNS

400 x 400 | 600 x 400

Curved TVs Are Better With SANUS Swivel Mount



CURVED TV UNMOUNTED

On either end of the curved TV, the screen is approximately 8–10° off parallel. This means that curved TVs have a 15–20° reduced functional viewing angle when compared to standard flat panel TVs. The ideal viewing angle of a curved TV is even more limited, resulting in fewer viewing locations in a room.



CURVED TV WITH SWIVEL MOUNT

Horizontal rotation is critical to most curved TV installations. The SANUS model VLC1 Swivel Mount design, with 10° of swivel left and right, brings the leading edge of the TV past parallel to the wall, increasing the ideal viewing range by 20°. This allows for additional ideal viewing locations within the same room.